

LAND ROVER DISCOVERY I (1989-1998)

DOG GUARD / GRILLE PROTECTRICE POUR CHIEN / HUNDEGITTER /
RIPARO PER CANI / DEFENSA PARA PERROS / HONDEREK

- Check kit contents against parts list below
- Read instructions fully before fitting guard

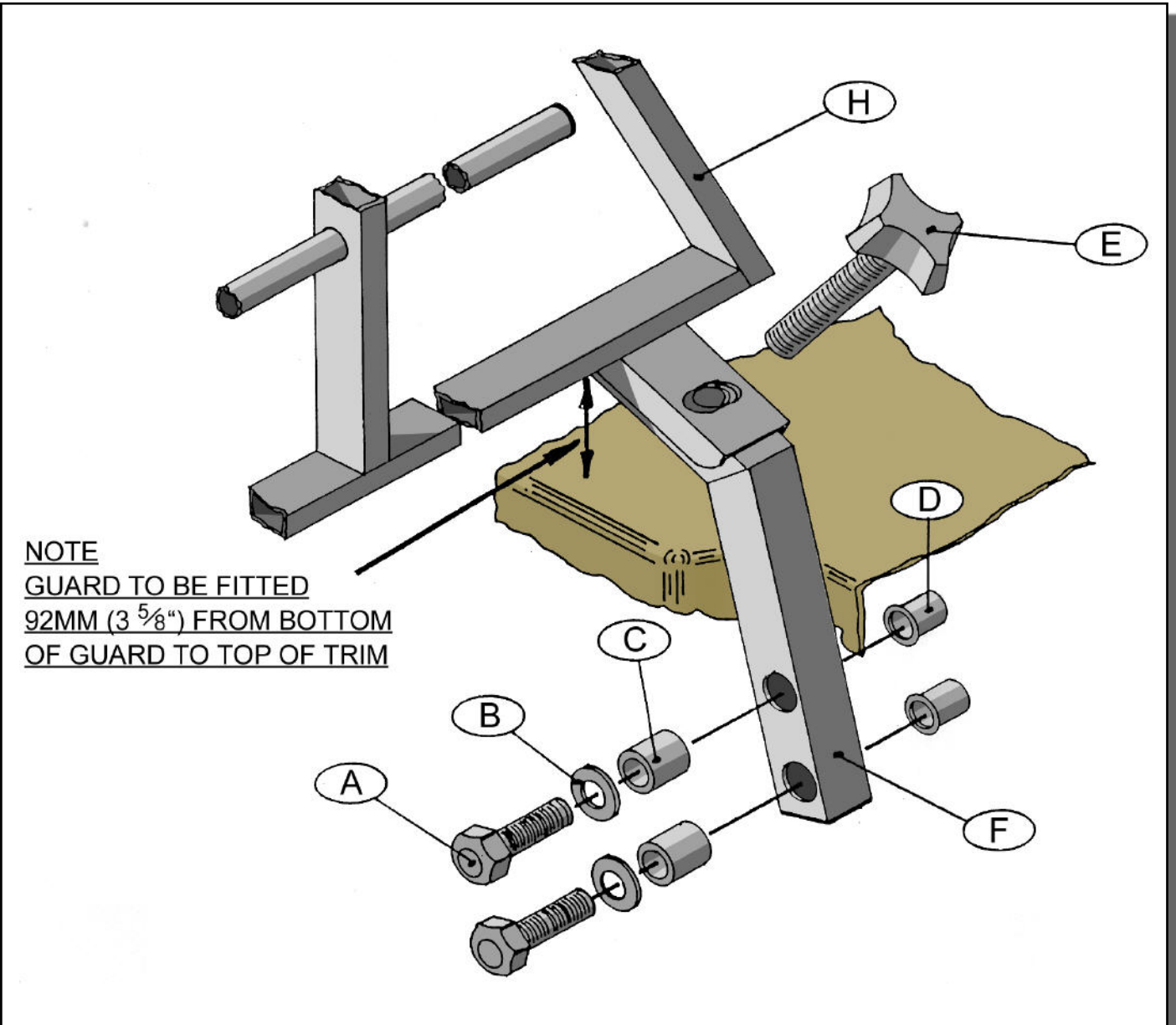
- Attach L/H mounting foot (F) to the dog guard (H) using thumbscrew (E) - refer to illustration overleaf
- Tilt forward rear seat backs
- Pass guard into the vehicle with mounting foot facing forward and positioned into corner of trim behind the seat back and adjacent to seat latch - refer to illustration overleaf
- Hold the guard in a vertical position and measure between the underside of the guard and the top of the trim to give a setting of 92mm (3 5/8")
- Mark the position of the holes on the trim
- Remove guard from vehicle and separate the mounting foot
- Drill 2 x 9mm (23/64") diameter holes at the marked points
- Remove trim around the drilled holes and insert rivnuts (D) into holes
- Attach L/H mounting foot (F) to the rivnuts using fixings A, B & C - refer to illustration overleaf
- Tighten bolts (A) until rivnuts (D) crush down and are secure
- Remove the L/H mounting foot (F) and refit the trim
- Reattach L/H mounting foot (F) to the dog guard (H) using thumbscrew (E)
- Attach the R/H mounting foot (G) (not illustrated) to the dog guard (H) using thumbscrew (E)
- Pass guard into the vehicle
- Align guard so that it is level, make sure that the R/H mounting foot is in the correct position
- Mark the the position of the holes on the trim as before
- Continue to fit the rivnuts (D) as per the L/H side

Parts list

A	4	M6 x 40 hex head bolt
B	4	M6 large diameter washer
C	4	Nylon spacer
D	4	M6 rivnut
E	2	Thumbscrew
F	1	L/H mounting foot
G	1	R/H mounting foot
H	1	Dog guard
I	1	Luggage cover belt extension

LAND ROVER DISCOVERY I (1989-1998)

DOG GUARD / GRILLE PROTECTRICE POUR CHIEN / HUNDEGITTER /
RIPARO PER CANI / DEFENSA PARA PERROS / HONDEREK



If loadspace blind is fitted continue as follows:-

